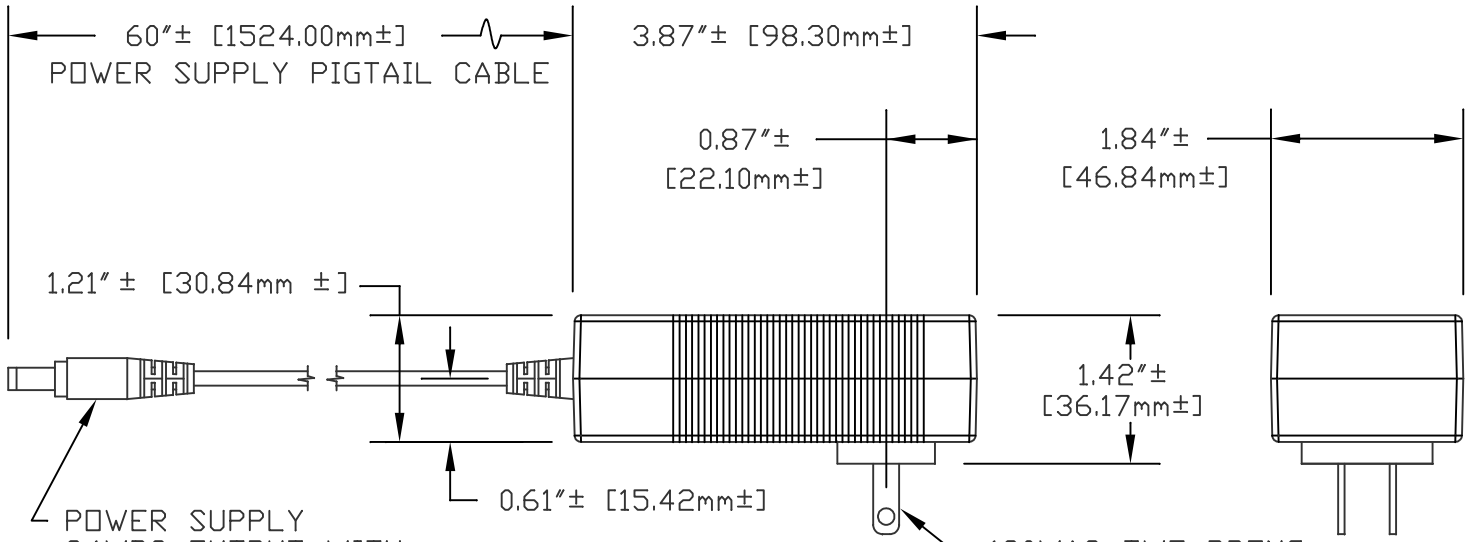


TOP VIEW



SIDE VIEW

END VIEW

POWER SUPPLY, AC/DC ADAPTER  
SPECIFICATIONS:

AC INPUT RANGE: 100-240VAC; 50-60Hz 1.0AMP  
 MAXIMUM DC OUTPUT: 24VDC; 1.0AMP  
 CONNECTOR: 2.1mm X 5.5mm, CENTER POSITIVE  
 SHORT CIRCUIT PROTECTION  
 OVER VOLTAGE PROTECTION  
 cULus LISTED  
 ULTRA LIGHTWEIGHT



by **American LED-gible**®

1776 Lone Eagle Street www.ledandon.com  
 Columbus, OH 43228 USA (614) 851-1100

DESCRIPTION:				POWER SUPPLY, AC/DC ADAPTER 24VDC; 1.0A, TWO PRONG WALL PLUG-IN	
SCALE:	DWN BY: J.L.F.	DATE: 1-30-19	DRAWING / PART NUMBER		REV.
	APP'D BY:	DATE:	PS-5220-107		
DO NOT SCALE PRINT	R&D #:		Sheet 1 of 1		